

327-FU(-HDS)

Socket terminal strip
Screw connection, with raised base



GENERAL INFORMATION

Pitch	14,5 mm
No. of poles	1 - 12
Areas of application	For lighting applications and similar electrical equipment.

TECHNICAL DATA

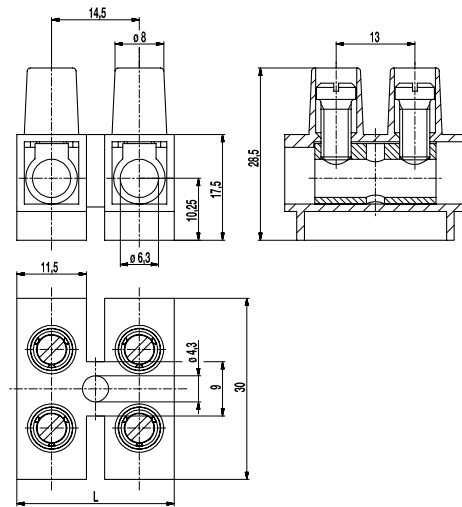
Clamping Range	<i>solid / stranded / AWG</i>		
<i>without wire protector</i>	4 - 16 mm ² / 4 - 16 mm ² / 12 - 4 AWG		
<i>with wire protector</i>	4 - 16 mm ² / 4 - 10 mm ² / 12 - 6 AWG		
Rated Cross Section	16 mm ² [1]		
Wire Stripping Length	9 mm ± 1 mm		
Overvoltage Category	III	III	II
Pollution Severity Level	3	2	2
Rated Voltage	1000 V	1000 V	1000 V
Rated Impulse Voltage	8 kV	8 kV	6 kV
Rated Insulation Voltage	750 V acc. to EN 60998-1		
Rated Current	76 A		
Torque	2 Nm		

APPROVALS

	Current [A]	Voltage [V]	Group	AWG	[Nm]
	65	600	B,C	14 - 6	1,8
	80	600	B,C,D,E	14 - 6	1,8
	Current [A]	Voltage [V]	mm ²		
	76	750	16		

CONFIGURATIONS

Version	Poles	Item	Article number	Item	Article number	Length (L)	PU
Standard	1	327-FU/01	11.825.004.EN6	327-FU-HDS/01	31.825.004.EN6	14,50 mm	1000
Standard	2	327-FU/02	12.825.004.EN6	327-FU-HDS/02	32.825.004.EN6	29,00 mm	500
Standard	3	327-FU/03	13.825.004.EN6	327-FU-HDS/03	33.825.004.EN6	43,50 mm	250
Standard	4	327-FU/04	14.825.004.EN6	327-FU-HDS/04	34.825.004.EN6	58,00 mm	250
Standard	5	327-FU/05	15.825.004.EN6	327-FU-HDS/05	35.825.004.EN6	72,50 mm	200
Standard	6	327-FU/06	16.825.004.EN6	327-FU-HDS/06	36.825.004.EN6	87,00 mm	100
Standard	7	327-FU/07	17.825.004.EN6	327-FU-HDS/07	37.825.004.EN6	101,50 mm	100
Standard	8	327-FU/08	18.825.004.EN6	327-FU-HDS/08	38.825.004.EN6	116,00 mm	160
Standard	9	327-FU/09	19.825.004.EN6	327-FU-HDS/09	39.825.004.EN6	130,50 mm	70
Standard	10	327-FU/10	20.825.004.EN6	327-FU-HDS/10	40.825.004.EN6	145,00 mm	100
Standard	11	327-FU/11	21.825.004.EN6	327-FU-HDS/11	41.825.004.EN6	159,50 mm	100
Standard	12	327-FU/12	22.825.004.EN6	327-FU-HDS/12	42.825.004.EN6	171,00 mm	50



MATERIAL

Moulding	PA, white, V-0
Comparative Tracking Index	CTI ≥ 600
Insulating Group	I
Temperature Range	-40°C up to 100°C
Terminal body	Nickel plated brass
Screw	M5; zinc plated steel, blue passivated
Wire protector	Stainless steel strip

OPTIONS / ACCESSORIES

- Marking options on and between the screw guides
- Marking strips BST-327
- Jumper 327-J

[1] multi-wire

